



FIREPLACES FORGED WITH THE HERITAGE OF CRAFTSMANSHIP™



ELDORADO
FIREPLACE SURROUNDS



FIREPLACES FORGED
WITH THE HERITAGE OF
CRAFTSMANSHIP



The fireplace is quite possibly one of the most dramatic spaces in any home. With the unique power to mesmerize, a fire draws us closer in to its warmth. Such beauty and drama beckons for an elegant frame. Eldorado Fireplace Surrounds are handcrafted to create a distinctive one-of-a-kind appearance, normally only found with natural carved limestone. Explore the stylistic array of surrounds, ranging from contemporary to traditional designs.



HANDCRAFTING A CUSTOM WORK OF ART.

For over 45 years, Eldorado Stone® has demonstrated an undeniable passion for creating authentic products that not only elevate quality and design, but also attainability. Our commitment to this philosophy continues with our striking collection of Eldorado Fireplace Surrounds.

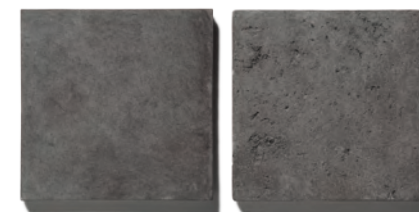
Our fireplace surrounds are designed to bring elegance and warmth to a wide variety of architectural styles. It all begins with a proprietary blend of limestone aggregates, minerals, natural pigments and special bonding agents. The material is hand applied layer by layer into the mold—creating natural color and texture variations—guaranteeing no two surrounds are exactly alike. Once the surround is removed from the mold, our skilled artisans hand finish each piece through a four-step finishing process. The distinctive one-of-a-kind process creates a highly authentic appearance which would normally only be found with natural carved limestone. Similar to natural limestone, variations in color and texture are celebrated characteristics of the product.



THE COLORS & TEXTURES OF AUTHENTICITY.

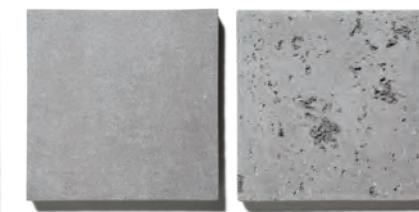
Eldorado Fireplace Surrounds are available in four colors—designed to represent the various types of natural limestones found across France and other parts of Europe. Choose from two finishes including *Honed*, a smooth texture, or *Travertine*, a more textured surface. Both finishes include color and texture variations, providing the authentic character and attributes of natural stone.

BLACK SAND



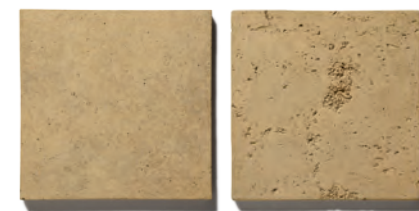
Honed Travertine

AGED TEAK



Honed Travertine

OAK BARREL



Honed Travertine

OYSTER SHELL



Honed Travertine



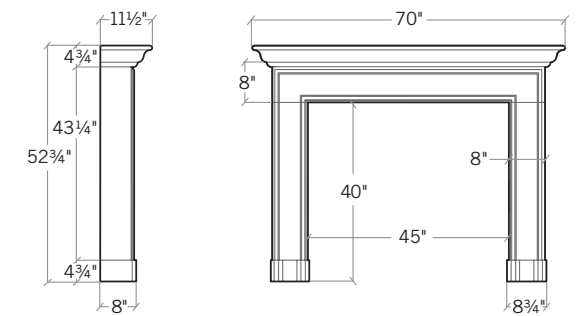
A custom-sized version of **The Dylan** Eldorado Fireplace Surround (pg. 14)
in **Aged Teak** with a **Honed Finish**.



THE CARMELA™

11.5" d × 70" w × 52.75" h

The Carmela is layered with visual interest beginning with its plinth block foundation and linear legs framed with a unique bull nose detail. The 11.5" depth mantel provides ample space for decor.





The Carmela (pg. 6) in Oyster Shell with a Honed Finish installed with Eldorado Stone Andante Fieldledge using a standard grout technique.

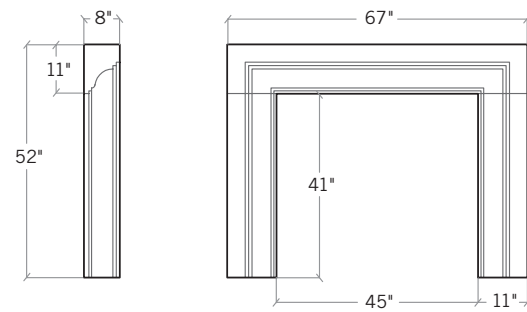


The Giada in Oyster Shell with a Honed Finish.

THE GIADA™

8" d × 67" w × 52" h

The pleasing blend of clean lines and finite details invite this surround into both contemporary and transitional settings. The 8" monolithic depth gives way to the deeply carved and symmetrical properties.

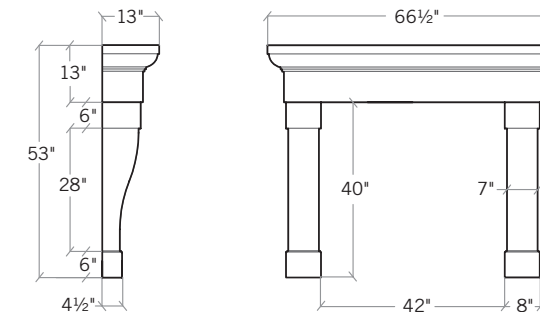


The Valentina in Oak Barrel with a Travertine Finish.

THE VALENTINA™

13" d × 66.5" w × 53" h

The Valentina will invite a sense of rustic Italian charm into any home. The robust 13" deep mantel paired with two gently sloping pilasters complete its bold presence.

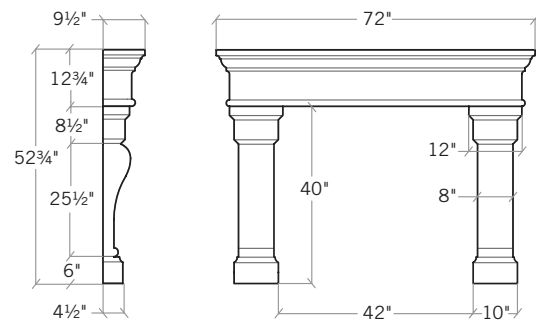




THE SOPHIA™

9.5" D x 72" W x 52.75" H

The understated elegance of The Sophia combines both straight lines and flowing curves. The long-established shape works well with traditional settings.



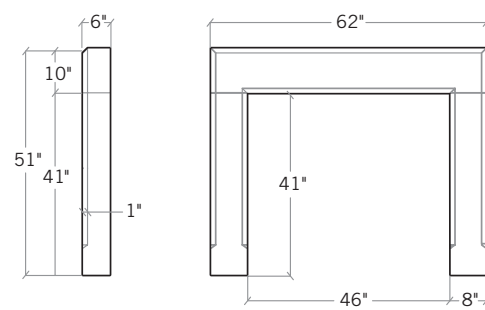


The Dylan in Aged Teak with a Honed Finish.

THE DYLAN™

6" D × 62" W × 51" H

The modern sophistication of The Dylan is evident with its extremely clean lines. The surrounding beveled edges create a distinctive architectural detail.

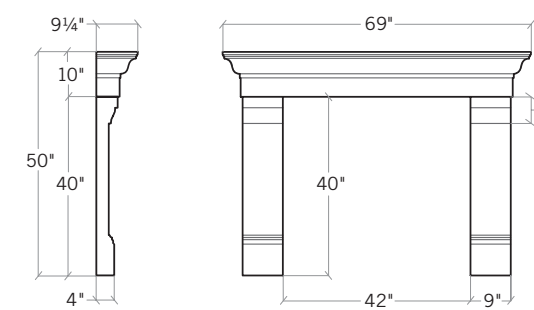


The Florentina in Oyster Shell with a Honed Finish.

THE FLORENTINA™

9.25" D × 69" W × 50" H

The simple and classical shape creates the perfect frame for a wide variety of fireplace settings. The 9" mantel depth provides ample area to stylize to your specific interior design.

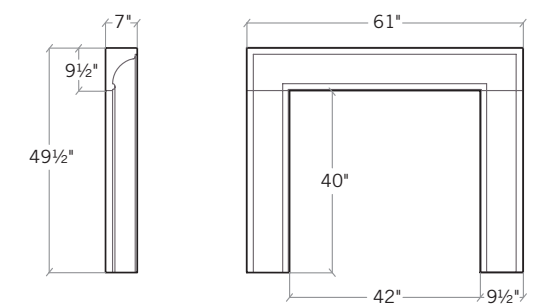




THE SOHO BOUTIQUE™

7" D × 61" W × 49.5" H

The Soho Boutique is smaller in scale, yet its clean lines imply a sense of luxury and timeless style.



The Soho Boutique in Oyster Shell with a Honed Finish installed with Eldorado Stone Birch LedgeCut33 using a dry-stack grout technique.

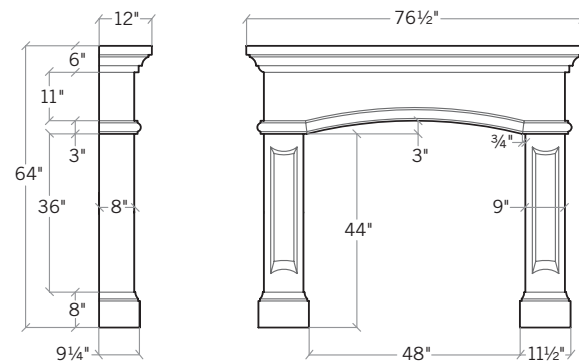


The Annalisa in Oak Barrel with a Honed Finish.

THE ANNALISA™

12" D × 76.5" W × 64" H

Elegance and beauty adorn The Annalisa with its gently sloping arch and detailed carvings. Its scale is designed for larger rooms, perfectly suited for elegant and casual settings alike.

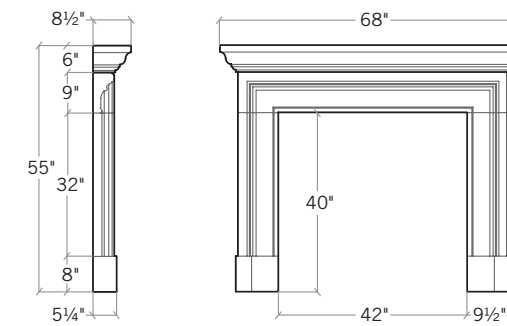


The Bryant in Oak Barrel with a Travertine Finish.

THE BRYANT™

8.5" D × 68" W × 55" H

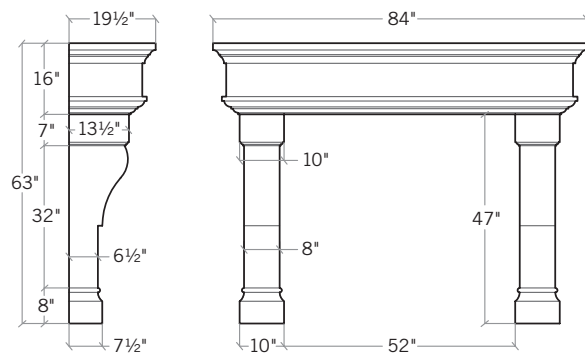
The Bryant is an elegant surround that transcends all design styles with multiple layers of intricate yet linear carvings. The base blocks further enhance its stature and solid stance.



THE PALACIO™

19.5"o × 84" w × 63" h

The grand form of The Palacio will draw you closer with its impressive size and bold stature. The commanding presence will easily become the focal masterpiece of any luxurious space.

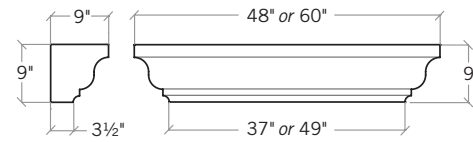


MANTEL SHELVES



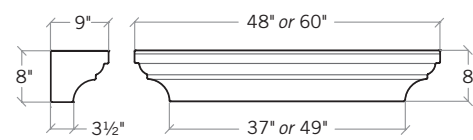
THE ANGELO™

Sweeping curves make this shelf an elegant mantel to grace the walls of any home. 9" h x 9" d in either 48" or 60" lengths. Available in all the Eldorado Fireplace Surround colors and finishes.



THE MARTINO™

Strong lines and crisp curves make this versatile shelf especially stunning in a modern home. 8" h x 9" d in either 48" or 60" lengths. Available in all the Eldorado Fireplace Surround colors and finishes.

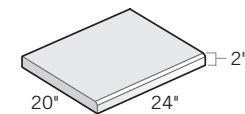


HEARTH STONES & RISER BLOCKS



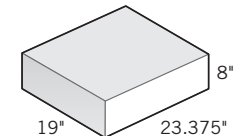
Hearth Stones

20" d x 24" w x 2" h each
Available in all the Eldorado Fireplace Surround colors and finishes. Sold in sets of three with one left, center & right stone and also individually (single center stone).



8" Hearth Riser Blocks

19" d x 23.375" w x 8" h each
Available in all the Eldorado Fireplace Surround colors and finishes. Sold in sets of three or individually. Finishes hearth at 10" high with hearth stones; may be trimmed to accommodate shorter heights.



The Angelo in Oak Barrel with a Travertine Finish installed with Eldorado Stone Padova Fieldledge using a standard grout technique.



DESIGN & ORDERING

How do I know which surround will work in my space?

Eldorado Fireplace Surrounds are designed to fit a wide variety of fireplace openings. Choose a surround which is larger than your firebox opening. Trim panels are included to fill any space between the fireplace surround and firebox.

What's included with my Fireplace Surround?

Eldorado is making it easier to transform fireplace spaces with our “everything is included” approach. When you place an order with your local distributor or purchase online, your fireplace surround will ship complete with practically everything you’ll need for a successful installation.

How do I order a sample?

We highly recommend either visiting a local distributor or ordering a sample box online to view the different colors and finishes available. Because our fireplace surrounds replicate natural limestone, variations should, and can be expected.



How do I purchase an Eldorado Fireplace Surround?

There are two ways to purchase an Eldorado Fireplace Surround. Our first recommendation is to visit your local Eldorado Fireplace Surround distributor. You can find a local distributor by entering your zip code online. If there isn't a distributor in your area, simply order the product online at eldoradostone.com/fireplaces.

How do I install my Eldorado Fireplace Surround?

Our proprietary manufacturing process and product design utilizes a combination of lighter weight yet strong materials, which makes installation quicker and more affordable. Visit your local distributor for a list of recommended installers or, if you consider yourself an experienced DIY'er, visit our website to review our installation video and downloadable instructions.

ELDORADO FIREPLACE SURROUNDS SHIP COMPLETE WITH THE FOLLOWING:



- Stone Mantel & Legs
- Ledger Board & Screws
for Easy Install
- 3 Trim Panels with
“matching color/finish”
- Large Tube of
Color-Matched Caulking
- Large Tube of Adhesive
- 3 oz Bottle of Color Wash
for Touch-Ups
- Shims

Each Surround Ships Pre-Sealed

Because Eldorado Fireplace Surrounds replicate natural stone, variations should, and can be expected. Even though colors in this brochure are as close to the actual product as possible, photographic and printing techniques — and actual viewing conditions — can alter perception of color. It is recommended to obtain an Eldorado Fireplace Surround Sample Kit before ordering.

If you would like more information on prices, availability of products, the name of your local distributor, or answers to any questions not covered in this brochure, please contact us. We would be happy to assist you with your fireplace and stone building plans. Detailed installation instructions, specifications, technical information and test data is available upon request.

800.925.1491 eldoradostone.com/fireplaces

Please join us on:

